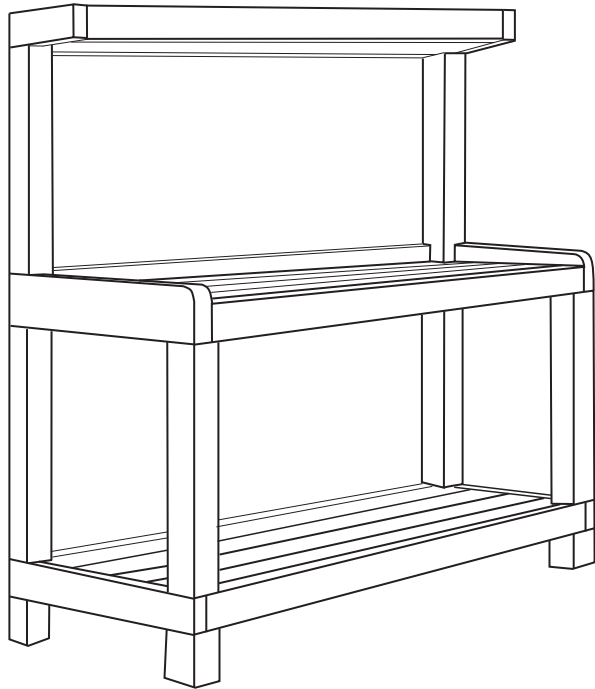


# Sunset Potting Bench Project



## Materials List

Piece	Material	Length	Quantity
front legs	4 x 4	32½"	2
rear legs	4 x 4	63"	2
upper side apron	2 x 6	25"	2
lower side apron	2 x 4	25"	2
upper rear apron	2 x 6	57"	1
front/rear apron	2 x 4	57"	3
side shelf support	2 x 2	22"	4
front/rear shelf support	2 x 2	54"	4
work surface and lower shelf	2 x 6	57"	8
top shelf	2 x 8	57"	1
top shelf front/rear edging	2 x 4	57"	2
top shelf side edging	2 x 4	10¼"	2

## Before you begin

Carefully read through all the instructions before you purchase materials or begin work.

For safety, think through each step before you do it. Be sure to read and follow all manufacturer's instructions before using a tool. Use standard-dimension lumber—fir, redwood, or pressure-treated pine. When working with pressure-treated pine, it's a good idea to wear sturdy work gloves to protect your hands from splinters and to limit skin contact with the treated wood. When cutting treated wood, wear a dust mask. Eye protection should be worn when using a saw, hammer, or drill.

To cut the 4 x 4 legs to size using a portable circular saw, mark the location of the cut using a tape measure. Then use the square to mark the line of the cut on one side and to continue the line around the leg until all four sides have been marked. The lines should meet. Next set the depth of cut to 1<sup>3</sup>/<sub>4</sub> inches and carefully cut along the line. Turn the piece of wood over and make a second cut along the line on the opposite side.

For assembly, we used self-tapping deck screws, which are available at most hardware stores and home centers. These do not need a pilot hole. They are simply screwed into the wood using an electric drill equipped with a Phillips bit. Practice a few times on a piece of scrap wood. The secret is to press the drill firmly against the screw as you pull the start trigger on the drill. Once you get the hang of it, it's a lot easier than using a hammer and nails.

Because the finished bench is heavy, you may want to build it close to its final location. As an alternative, partially assemble the bench (through step three) in your garage or workshop, then move it to its final location before adding the 2 x 6 shelving and the 2 x 8 top shelf.

## Step One

Begin by cutting the four legs from 4 x 4s. You can get one front and one rear leg out of each 8-foot length. After cutting to length, arrange the four legs side by side, with the uncut ends lining up. These will be the bottom of each leg. Carefully lay out the locations for the notches (called dadoes). Next set the depth of cut on your portable circular saw for 1<sup>1</sup>/<sub>2</sub> inches and make a cut at both ends of each notch. Next make a series of cuts about 1/8 inch apart between these first two cuts. Now rotate the 4 x 4 a quarter turn and repeat. The thin pieces of wood between the series of cuts should break out easily. You can use a chisel, if necessary, to clean out the notches. Make sure that you cut the notches in the same sides of the legs.

## Step Two

Cut the side aprons to 25 inches in length. The lower aprons are 2 x 4, the upper 2 x 6. Lay out the rounded corner on the upper 2 x 6 aprons and cut with a saber saw or band saw. Sand smooth. Lay one front leg and one rear leg on a flat surface and fit a 2 x 4 apron and a 2 x 6 apron into the dadoes on the legs. The ends of the aprons should be even with the outside edges of the 4 x 4s. Check to make sure that everything is square. Attach the aprons to the legs using two 2<sup>1</sup>/<sub>2</sub>-inch screws at each joint. Repeat with the other two legs. Be sure to make the leg pairs mirror images of each other, not identical.

## Step Three

Cut three long aprons (57 inches) from 2 x 4s and one from a 2 x 6. Attach these to the legs using two screws at each joint. It helps to have someone hold the legs up while you position and square up the long aprons. The assembly should be square when viewed from the top. Next cut the 2 x 2 shelf supports and attach the aprons. Use a scrap piece of 2 x 6 to get the exact spacing of the shelf supports so the 2 x 6 work surface will be flush with the 2 x 4 front apron. Don't let the screw tips go through to the outside of the apron.

**Hint:** Clamp each 2 x 2 in place, double-check the spacing, and attach permanently with screws.

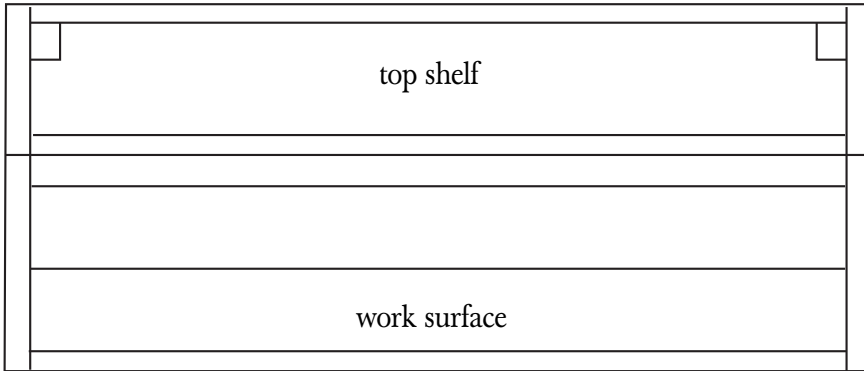
Next cut eight 2 x 6 pieces for the work surface and the lower shelf. Notch the corners of three of the pieces to fit around the legs. Install these first, then add the other unnotched pieces. You may want to wait to screw the top pieces in place until the potting bench is moved to its final location. That way you can temporarily remove them to make the bench lighter and easier to move.

## Step Four

Cut the 2 x 8 top shelf to length (57 inches) and notch two corners to fit around the rear legs. Check the fit and remove. Cut the 2 x 4 side, front, and rear edging to length and screw to the 2 x 8 shelf. The bottom of the 2 x 4s should be flush with the bottom of the 2 x 8.

Once the potting bench is in its final position, reinstall the 2 x 6 work surface and lower shelf and screw them to the 2 x 2 supports. For extra support you can add two or three pieces of 2 x 2 to the underside of the work surface, spaced equally apart. Attach these with 2<sup>1</sup>/<sub>2</sub>-inch screws from the bottom. Install the top shelf and fasten with two screws at each end. Make sure it is level. If desired, you can add galvanized screw hooks to the underside of the top shelf to hang tools. **Optional:** Cover the opening between the shelf and work surface with wire screening that secures to the back with heavy-duty staples.

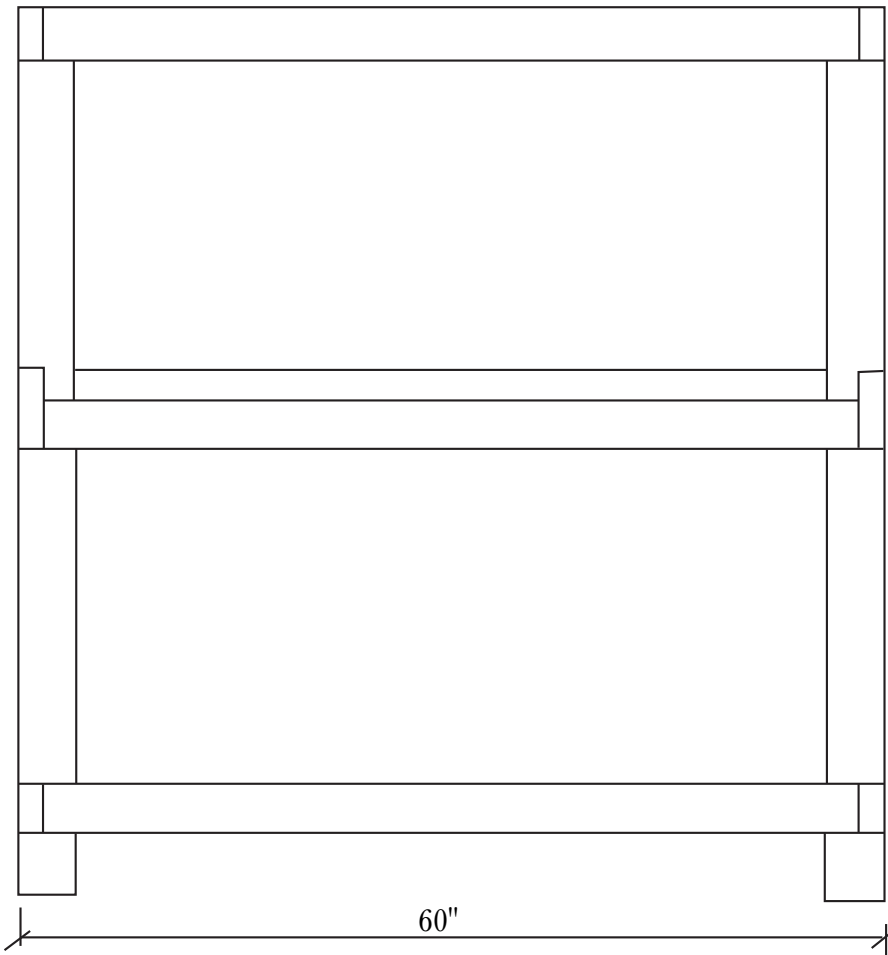
The wood can be stained or left unfinished to weather naturally. If desired, you can spray or wipe the wood with a clear wood preservative to help it repel water.



top shelf

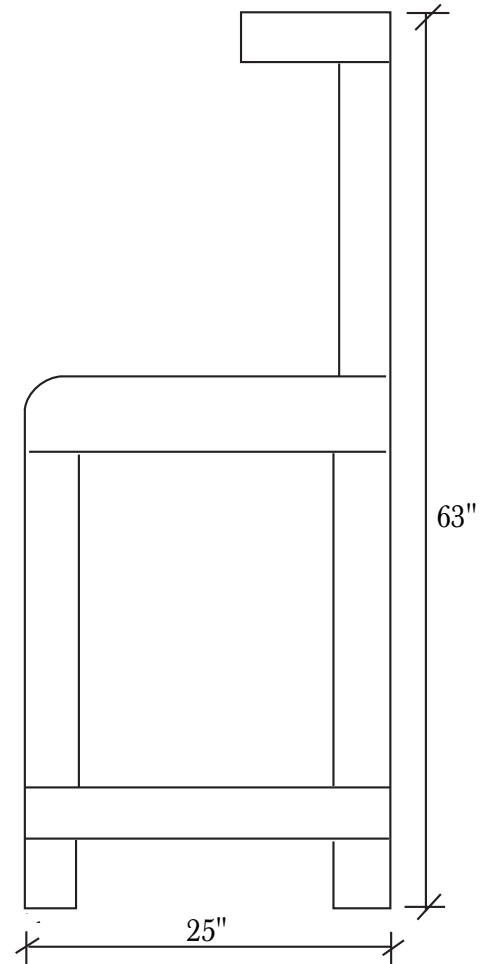
work surface

TOP



60"

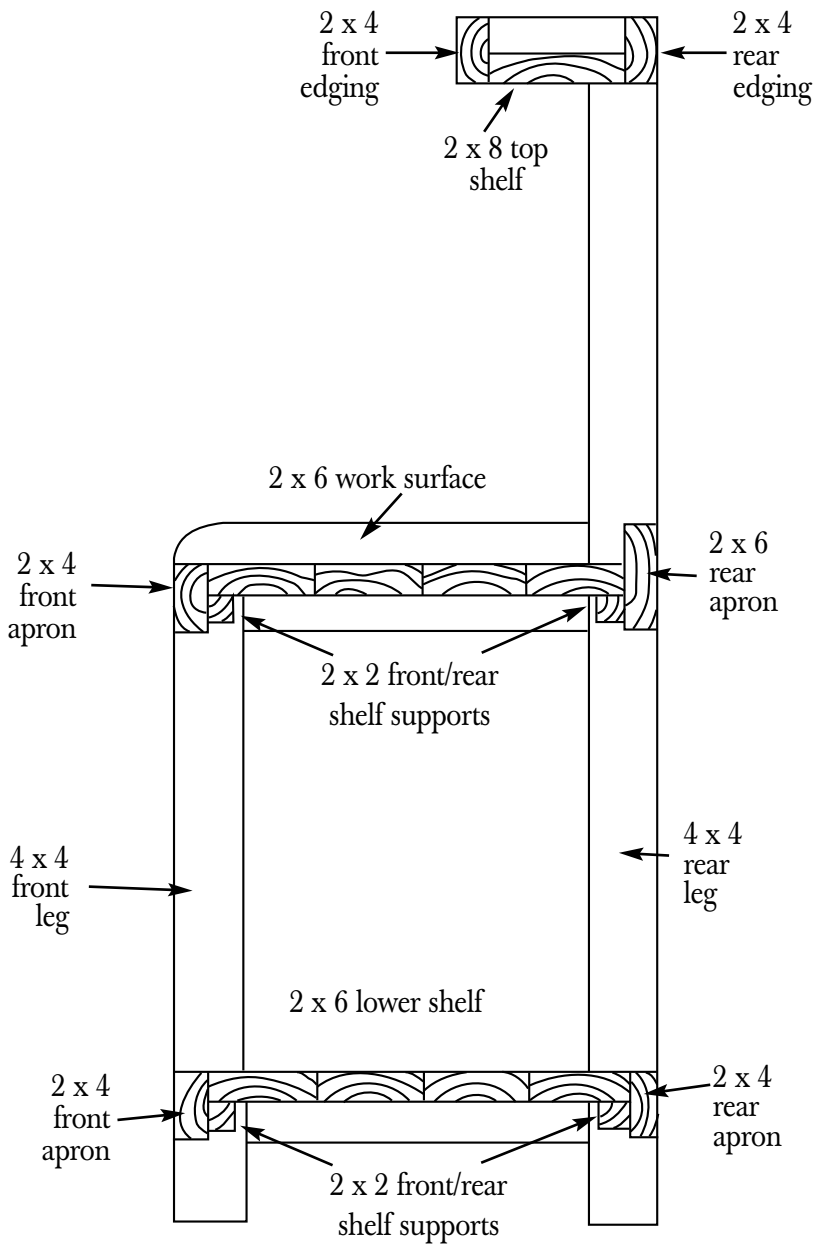
FRONT



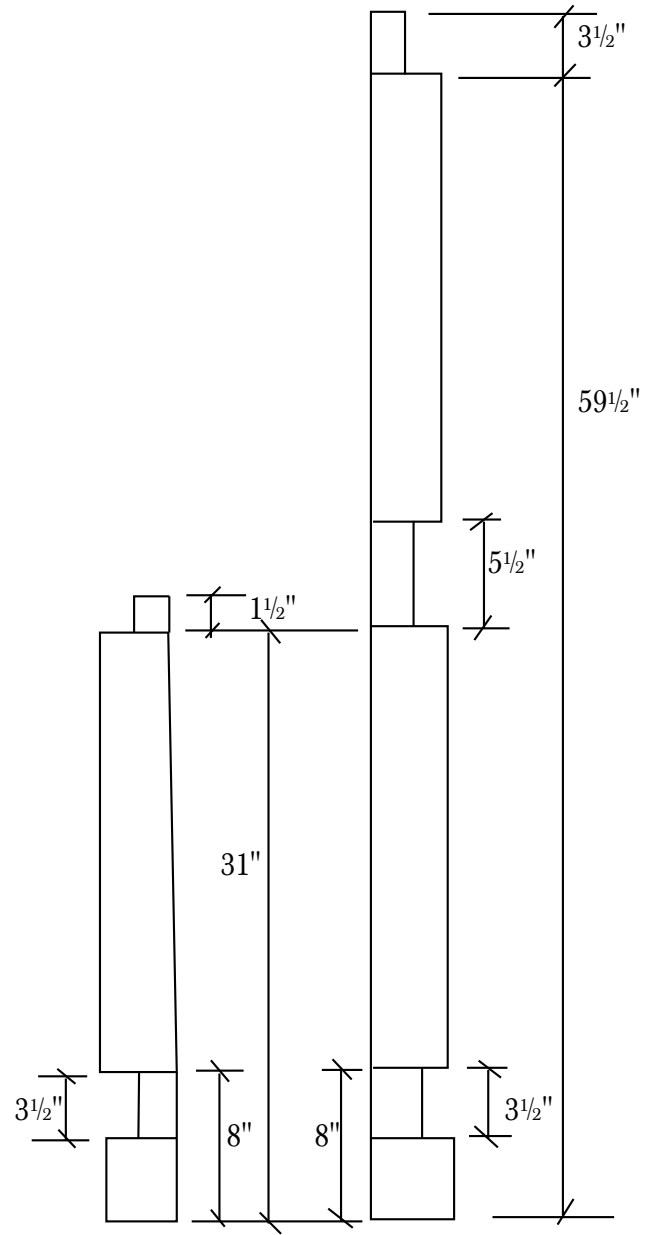
63"

25"

SIDE

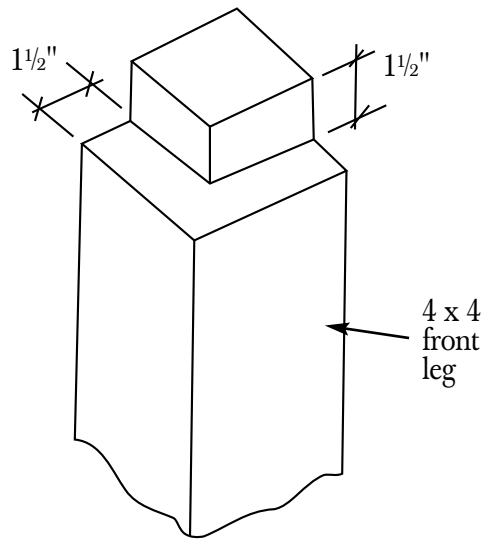


SECTION

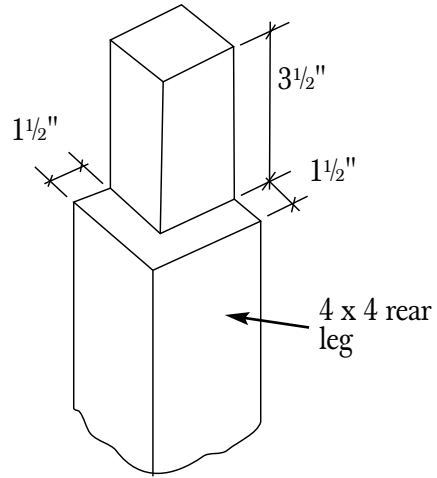


FRONT LEG  
(32 1/2" overall)

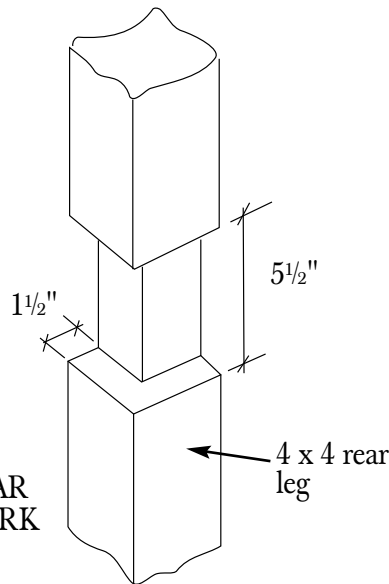
REAR LEG  
(63" overall)



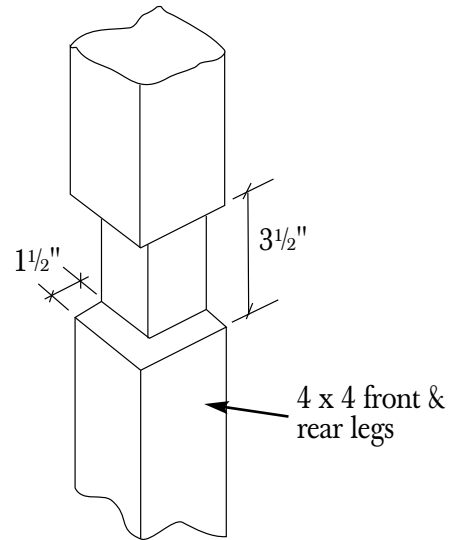
DADO FOR FRONT APRON OF WORK SURFACE



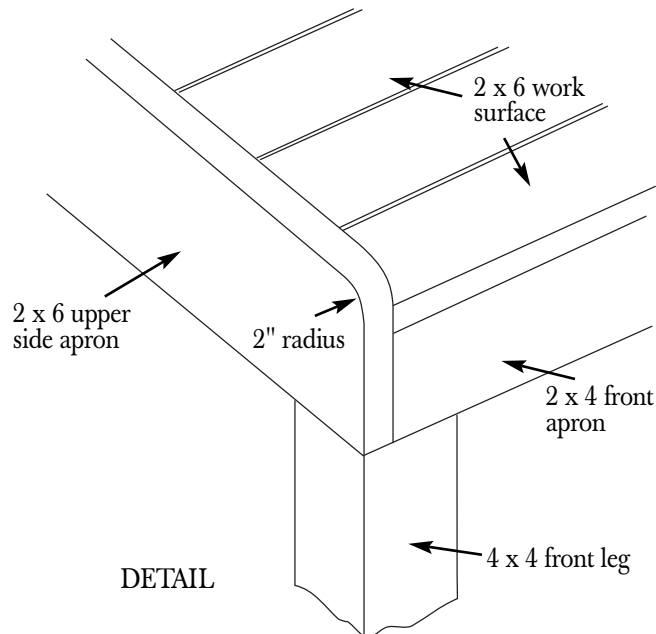
DADO FOR TOP SHELF



DADO FOR REAR APRON OF WORK SURFACE



DADO FOR APRONS OF LOWER SHELF



DETAIL